

229,479

## SPRING LATCH

Giancarlo Borsani, Via A. Volta 112,  
21047 Saronno, Italy

Filed July 19, 1972, Ser. No. 273,303

Claims priority, application Italy Jan. 19, 1972

Term of patent 14 years

Int. Cl. D8—07

U.S. Cl. D8—203

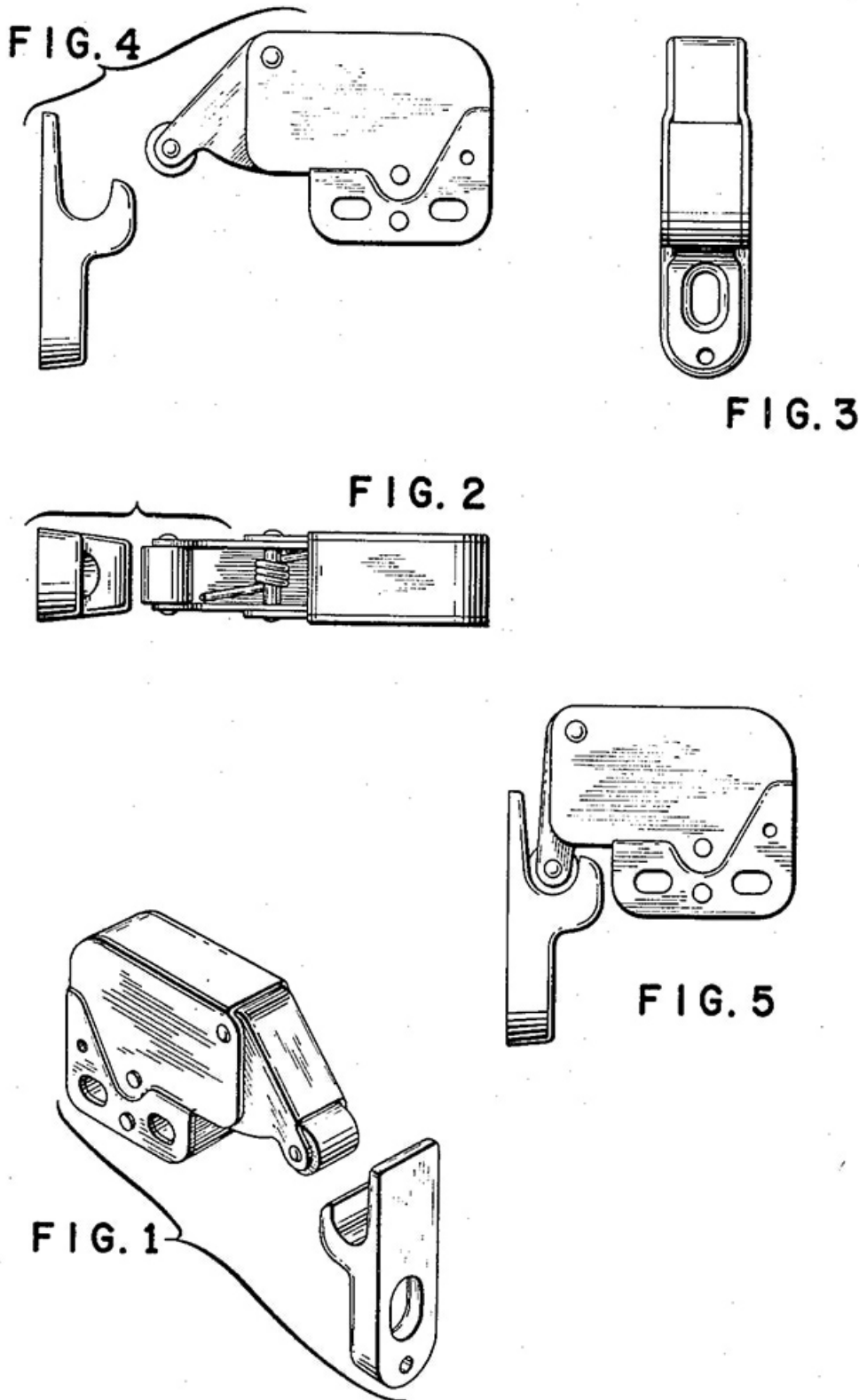


FIG. 1 is a front perspective view of the spring latch showing my new design.

FIG. 2 is a bottom plan view.

FIG. 3 is a side elevation view of the hook element as seen from the left of FIG. 1.

FIG. 4 is a rear elevation view of FIG. 1.

FIG. 5 is a side elevation view with the members shown in an engaged and locked position.

I claim:

The ornamental design for a spring latch, as shown.

### References Cited

#### UNITED STATES PATENTS

D. 133,004	7/1942	Wortman	-----	D8—203
D. 189,289	11/1960	Bryson et al.	-----	D8—203

#### FOREIGN PATENTS

644,401	10/1950	Great Britain	-----	292—79
---------	---------	---------------	-------	--------

WALLACE R. BURKE, Primary Examiner  
W. N. WERTMAN, Assistant Examiner